

5/7/2023

LOUVRE GRILLES - check link below for current version

<https://www.duco.eu/uk/products/intensive-ventilation/wall-and-window-louvres/ducogrille-solid>



DUCO

We inspire at www.duco.eu

BRIDGE
LOUVRE

www.louvre.co.uk

HOME OF OXYGEN

DUCO Ventilation & Sun Control provides every building with a healthy supply of oxygen. With a comprehensive range of innovative natural and mechanical ventilation systems, either combined with external solar shading or otherwise, DUCO offers the ultimate guarantee of a healthy and comfortable indoor climate. The occupant's health is,

therefore, central to DUCO. A well-thought-out combination of basic ventilation, mechanical extraction, purge ventilation and solar shading ensures optimum air quality. DUCO provides an innovative solution for residential buildings, offices, schools or care centres where everyone feels at home.

DUCO, Home of Oxygen



www.louvre.co.uk

DUCO

GENERAL	4
PRODUCTS	6
DUCOGRILLE SOLID	
DucoGrille Solid 30Z	8
DucoGrille Solid MR 30Z	9
DucoGrille Solid++ 30Z	10
DucoGrille Solid ISO 30Z	11
DUCOGRILLE CLASSIC	
DucoGrille Classic 20Z	12
DucoGrille Classic 20V	13
DucoGrille Classic 50Z	14
DucoGrille Classic 50/75Z	15
DucoGrille Classic 45HP	16
DucoGrille Classic 50HP	17
DucoGrille Classic 130HP	18
DucoGrille Classic 130HP Basic	19
DucoGrille Classic 70V	20
DUCOGRILLE ACOUSTIC	
DucoGrille Acoustic 75Z & 75L	22
DucoGrille Acoustic 150	23
Duco Acoustic Panel	24
DUCOGRILLE TRANSFER	
DucoGrille Transfer	26
DucoGrille Transfer Acoustic	27
DUCOGRILLE CLOSE	
DucoGrille Close 105	28
DucoGrille Close 35Z	30
DucoGrille Close M 100	31
DUCOGRILLE NIGHTVENT	
DucoGrille NightVent	32
ROOF TURRETS	
Duco Roof Turret Solid 30Z	36
VENTILATIVE COOLING	38
REFERENCE PROJECTS	40
VARIOUS	42
Service	42
Dimensions and ordering information	43
Technical specification table	44

DISCLAIMER

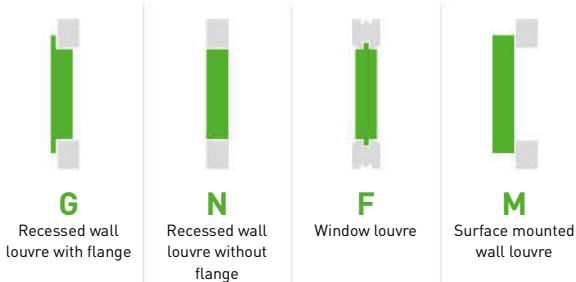
Illustrations in this catalogue may differ from actual product. Printing errors and/or changes excepted. DUCO reserves the right to amend this information at any time. The information stated is valid as at 05.07.2023 and may be subject to changes in legislation.

A SOLUTION FOR EVERY SITUATION



→ Any building situation

DUCO has a wide range of natural air intake grilles for **both new buildings and refurbishment projects**. Depending on the type of grille, Duco offers the following options:



→ Vandalism and intrusion security

Solid louvre blades are very sturdy and **vandal-proof**. The DucoGrille Solid++ is **burglary-resistant up to class 2**, in accordance with the European standard.



→ Finish

Each type of grille is available in any colour: **SAA***, every RAL colour, textured paint, special paints/lacquers, etc. Every type of grille is lacquered as standard in **SeaSide** grade. In addition, every type of grille in this brochure complies with the **Qualicoat** or **Qualanod** quality specifications.

* Except DucoGrille Transfer Acoustic



→ Penetration security

DucoGrille Classic louvre grilles with **V-blades** are penetration-proof.



→ Sound absorption

DucoGrille **Acoustic** louvre blades are fitted on the inside with non-combustible mineral wool and are ideally suited for applications with high levels of noise intrusion.



→ Insect screen and vermin screen

With DucoGrille Solid louvre grilles with small punch slots (P1), the **perforated louvre blades** act as an insect screen. With all other types* (Solid P2, Classic, Acoustic and Close 35Z), **2.3 x 2.3 mm stainless-steel mesh** is provided as standard. 6 x 6 mm or 20 x 20 mm mesh can be selected as an option.



P1



P2



Stainless-steel mesh

* Duco Acoustic Panel, DucoGrille Close 105 and DucoGrille Transfer do not have standard insect screening.

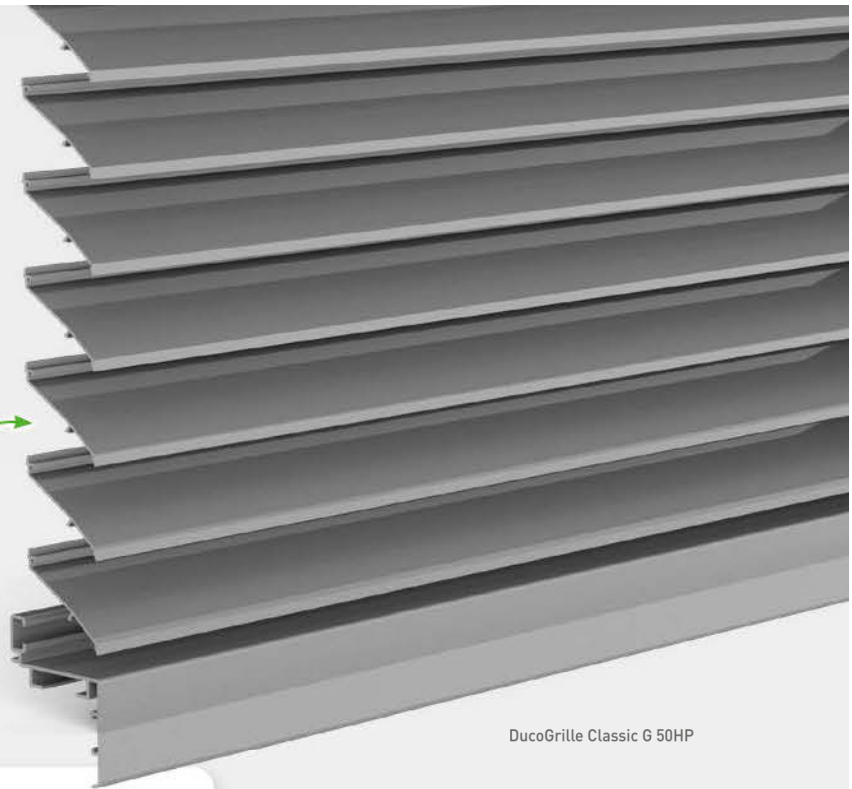
→ Ventilation capacity

Each louvre is extensively tested and optimised by DUCO's R&D department. The 'High Performance' HP louvre blades in the DucoGrille Classic range ensure excellent air flow thanks to low resistance.

Air flow performance class	Ce or Cd
1	≥ 0,4
2	0,3 - 0,399
3	0,2 - 0,299
4	≤ 0,199



High Performance



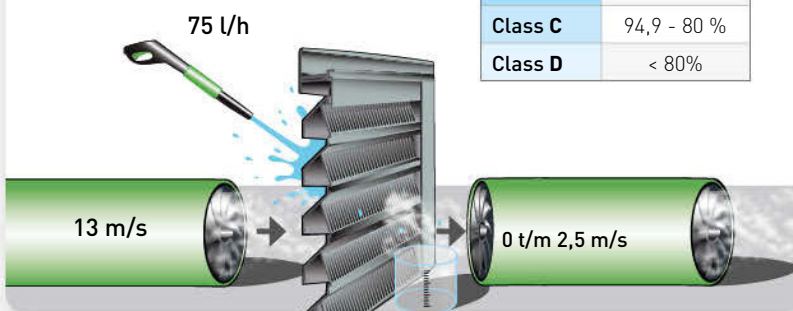
DucoGrille Classic G 50HP

→ Water resistance

All DucoGrille louvre grilles have been tested by **BSRIA** in accordance with watertightness tests developed in collaboration with HEVAC. The test simulates 75 litres per hour rainfall at a wind speed of 13 metres per second. Based on the air speed in the louvre and the % of watertightness, the louvre is assigned a class.

EN13030

Class A	100 - 99 %
Class B	98,5 - 95 %
Class C	94,9 - 80 %
Class D	< 80%

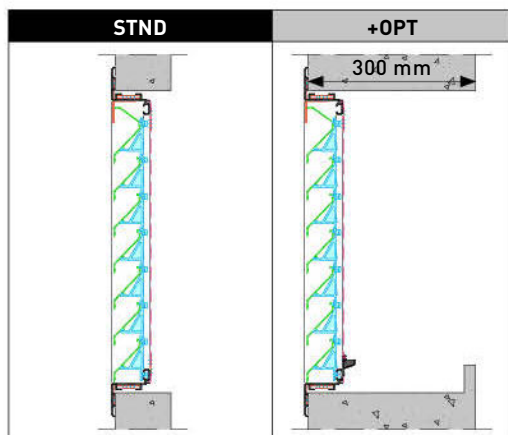


→ Custom building

The height and width of each grille* can be determined to the mm.

With the exception of DucoGrille Acoustic 150, DucoGrille Close 35Z and DucoGrille Transfer.

→ STND and +OPT version



The technical values of our grilles have been tested in two ways:

STND = 'Standard'

This is the standard version.

+OPT = '+Options'

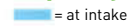
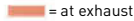
This is an optional version where the grille was tested in an installation situation of 300 mm and with (integrated) water gutter*.

The **+OPT** version will often bring better results in terms of water resistance. See each product page for all values per grille type.

* Depending on the type of grille

PRODUCT OVERVIEW

Ventilation capacity

 = at intake
 = at exhaust

The longer the bar, the more important the air flow.

STND and +OPT version: see page 5



G
Recessed wall louvre with flange



N
Recessed wall louvre without flange



F
Window louvre



M
Surface mounted wall louvre

DUCOGRILLE SOLID

Sturdy, **vandal-proof / burglary resistant** louvre grilles with multiple, sleek dovetailing Z-blades.

Model	Icons	STND	+OPT	G	N	F	M	Page
DucoGrille Solid 30Z								see p. 8
DucoGrille Solid++ 30Z	 RC2							see p. 10
DucoGrille Solid ISO 30Z	 RC2							see p. 11

DUCOGRILLE CLASSIC

Recessed wall or window louvres, where the aluminium louvre blades are clicked into place on **blade holders**.

Model	Icons	STND	+OPT	G	N	F	M	Page
DucoGrille Classic 20Z								see p. 12
DucoGrille Classic 20V	 							see p. 13
DucoGrille Classic 50Z								see p. 14
DucoGrille Classic 50/75Z								see p. 15
DucoGrille Classic 45HP								see p. 16
DucoGrille Classic 50HP								see p. 17
DucoGrille Classic 130HP	 							see p. 18
DucoGrille Classic 130HP Basic	 							see p. 19
DucoGrille Classic 70V	 							see p. 20

Legend



Vandal-proof
The grille is vandal-proof.



Burglary-resistant
The grille is (optionally) burglary-resistant up to class 2.



Penetration safe
The grille is penetration-proof.



Water resistant
The louvre grille is water resistant to a **high** or **very high** degree

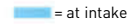
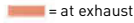


High Performance
The louvre blades are optimised for high air flow



Sound absorption
Can be used in projects with **light** or **heavy (+)** noise exposure

Ventilation capacity

 = at intake
 = at exhaust

The longer the bar, the more important the air flow.

STND and +OPT version: see page 5



G

Recessed wall louvre with flange



N

Recessed wall louvre without flange



F

Window louvre











M

Surface mounted wall louvre



DUCOGRILLE ACOUSTIC

Recessed wall louvres featuring **sound-absorbing**, non-combustible mineral wool.

Product	Headphones	STND	+OPT	G	N	F	M	Reference
DucoGrille Acoustic 75Z	🎧			✓	✗	✗	✗	see p. 22
DucoGrille Acoustic 75L	🎧			✓	✗	✗	✗	see p. 22
DucoGrille Acoustic 150	🎧+		n/a	✓	✓	✗	✗	see p. 23
Duco Acoustic Panel 150	🎧+			✓	✓	✗	✗	see p. 24
Duco Acoustic Panel 300	🎧+			✓	✓	✗	✗	see p. 24



DUCOGRILLE TRANSFER

Transfer grille for doors and walls.

Product	Headphones	STND	+OPT	Installation	Reference
DucoGrille Transfer			n/a	Installation in door or wall with/without counterframe	see p. 26
DucoGrille Transfer Acoustic	🎧			Installation in door or wall with/without counterframe	see p. 27

DUCOGRILLE CLOSE

Adjustable ventilation grilles with manual or electronic operation.

Product	Headphones	STND	+OPT	G	N	F	M	Reference
DucoGrille Close 105		Ventilation capacity depending on internal and external louvre grille		✗	✗	✗	✗	see p. 28
DucoGrille Close 35Z			n/a	✓	✓	✓	✗	see p. 30
DucoGrille Close M 100			n/a	✗	✗	✗	✓	see p. 31

DUCOGRILLE NIGHTVENT

Glass-replacing ventilation hatch with manual or electronic operation.

Product	Headphones	RC2	STND	+OPT	G	N	F	M	Reference
DucoGrille NightVent	🎧	RC2		n/a	✗	✗	✓	✗	see p. 32

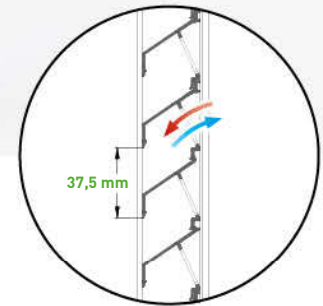
ROOF TURRETS

Kits and components to build roof turrets with DucoWall louvre blades.

Product	STND	+OPT	G	N	F	M	Reference
Duco Roof Turret Solid 30Z		n/a	✗	✗	✗	✗	see p. 36



Vandal-proof



DucoGrille Solid 30Z

DucoGrille Solid 30Z louvre blades offer high ventilation capacity with relatively small louvre blades. The 'stackable' louvre blades form a single screen, making them **extra strong** and **vandal-proof**.

The louvre blades are available with **small punching (P1)**, **large punching (P2)** or as **false louvres (NP)** and provide a uniform façade design when combined in a single project.

FRAME TYPES AND DIMENSIONS

Dimensions in mm	G	G Large	F 30Z/24	F 30Z/28 30Z/32	M
Louvre pitch	37,5				
Recess depth	34,4	31,9	-	-	-
Frame rebate	18,2	40	-	-	-
Frame depth	-	-	38	42	43
Flange width	-	-	24	28/32	-
Min. dimensions	min. W 200 x H 200				

VENTILATION VALUES

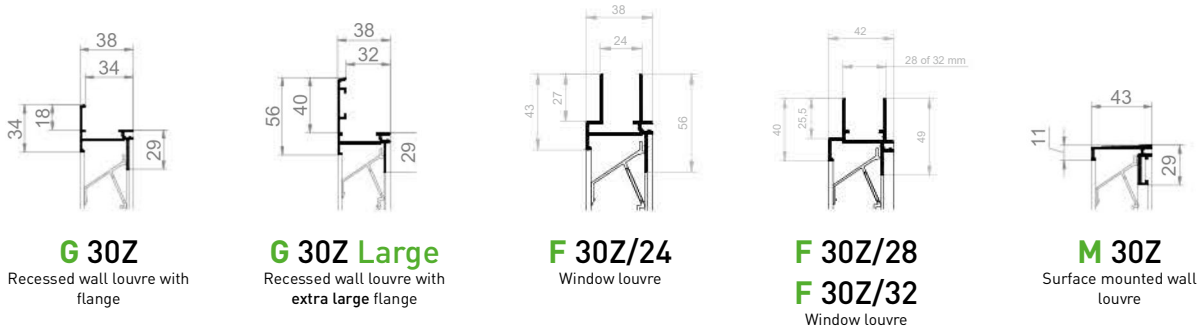
Feature		P1		P2	
		STND	+OPT	STND	+OPT
Visual free area		60 %	60 %	86 %	86 %
Physical free area		34 %	34 %	48 %	48 %
Ce (higher is better)		0,243	0,216	0,258	0,232
Cd (higher is better)		0,234	0,242	0,253	0,266
K-FACTOR (lower is better)	INTAKE	16,94	21,43	15,02	18,58
	EXHAUST	18,26	17,08	15,62	14,13

STND and +OPT version: see page 5

WATER RESISTANCE

Air velocity	Class			
	P1		P2	
	STND	+OPT	STND	+OPT
0 m/s	B	B	C	B
0,5 m/s	C	B	C	B
1 m/s	C	C	C	B
1,5 m/s	D	C	D	B
2 m/s	D	D	D	C
2,5 m/s	D	D	D	D

see page 5



Punching

DucoGrille Solid 30Z is available with louvre blades with **small punching (P1)**, **large punching (P2)** or without punching as **false louvres (NP)**. Combining the two in the same project ensures a uniform appearance.

INSECT SCREEN

Punching							
		P1		P2		NP	
Resistant to...		Perforated louvre blades as insect screen	Stainless-steel mesh 2.3 x 2.3 mm STANDARD		100 % false louvre		
			Stainless-steel mesh 6 x 6 mm OPTIONAL				
			Stainless-steel mesh 20 x 20 mm OPTIONAL				

Round version: MR 30Z

The DucoGrille Solid **MR 30Z** is a round surface mounted wall louvre.

DIMENSIONS

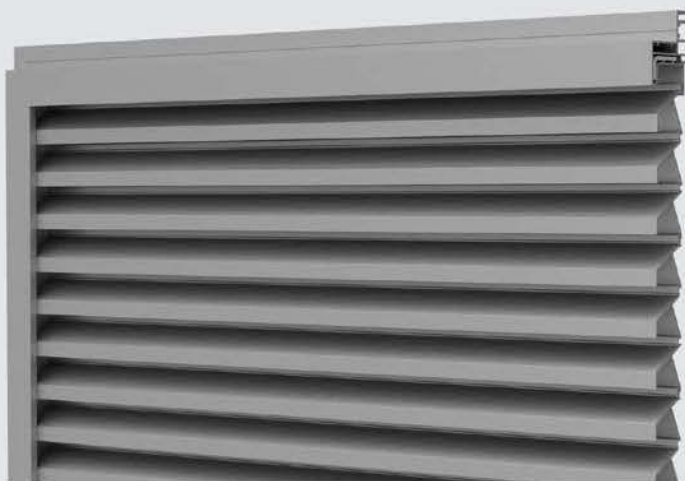
	MR 30Z
Frame depth	35 mm
Min. / max. dimensions	min. dia. 300 mm max. Ø 1500 mm

Stainless-steel mesh is not available for round louvre grilles. All other dimensions and properties are the same as for the DucoGrille Solid M 30Z.

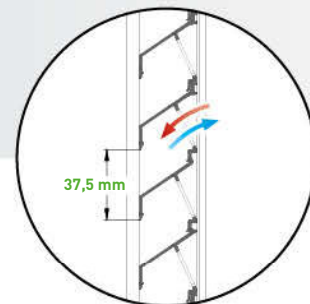


MR 30Z
Surface mounted wall louvre





Burglary-resistant up to class 2

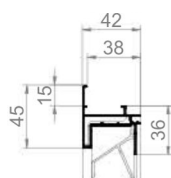


DucoGrille Solid++ 30Z

The DucoGrille Solid++ 30Z uses the same louvre blades as the Solid 30Z (P1 only), but with a **reinforced frame section**. This makes the louvre grilles **burglary-resistant up to Class 2**, in accordance with the European standard.

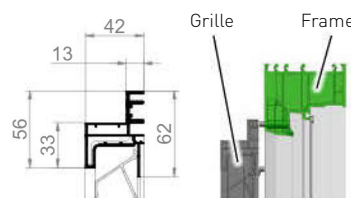
FRAME TYPES AND DIMENSIONS

Dimensions in mm	G	M
Louvre pitch	37,5	
Recess depth	38,4	-
Frame rebate	15	-
Frame depth	-	42
Min. dimensions	min. W 200 x H 200	



++ G 30Z

Recessed wall louvre with flange



++ M 30Z

Surface mounted louvre grille for fitting on a frame

SPECIFICATIONS

The DucoGrille Solid++ 30Z is only available with P1 louvre blades. All specifications relating to ventilation capacity, water resistance and insect resistance are identical to the DucoGrille Solid 30Z P1 (see page 8).



P1

DucoGrille Solid++ G 30Z has passed all the tests prescribed in the 'Burglar resistance Construction products' prEN 1627 to prEN 1630 draft standards for class 2 intrusion resistance.

DucoGrille Solid++ M 30Z complies with standards EN 5096:2007 and EN 1627:2011

The complete test report is obtainable upon request:
G 30Z: DE 651 XG 815 - CAR 8175 | M 30Z: SKG12.1036



→ Dimensions & order information: see page 43
→ Full specifications: see page 44



www.louvre.co.uk