



BRIDGE

LOUVRE

COMPANY
LIMITED

Natural Ventilation

a total **louvre design**
and **manufacturing** service

Window Vents

For more details on the Bridge Louvre
Product range and equipment

Tel: 0161 338 5631

Fax: 0161 304 8269

Email: sales@louvre.co.uk

DucoPlus 45 is a “controllable” aluminium glazed-in window ventilator featuring a smoothly-curved canopy for superior weatherability and positive action inner ‘tip’ which directs the flow of incoming air upwards.

- » 45 mm glass reduction only and thermally broken.
- » Graduated operation for greater control.
- » Positive action inner ‘tip’.

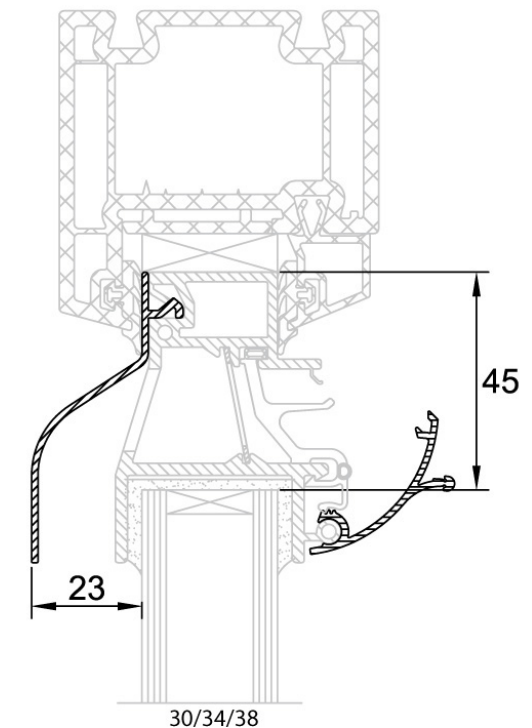
Technical Specifications

Airflow at 1 Pa	7,2 l/s/m
Airflow at 2 Pa	37 m ³ /h/m
Equivalent Area at 1 Pa	9162 mm ² /m
Free air per 1000mm	15000 mm ²
Wind and water tightness (in closed position)	wind: 600 Pa / water: 900 Pa
Stiffness and strength	Up to 600 Pa
Glass reduction	45 mm
Glass thicknesses	24,28 and 32 mm
Vent height	60 mm
Sound reduction, D _{ne} , W (C;Ctr)	
in open position.....	25,0 dB (0;1)
in closed position	44,0 dB (-1;-2)
U value	1,84 W/m ² K

DucoPlus 45 Minimum glass reduction



DucoPlus 45 on UPVC frame



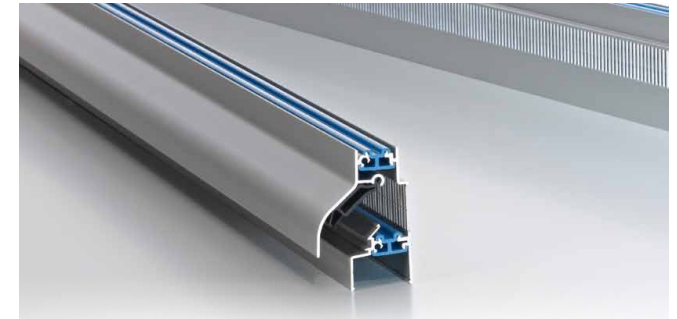
DucoPlus 60 is a “controllable” and thermally broken aluminium glazed-in window ventilator featuring a smooth external design with an internal “air deflector” directing the incoming air upwards, thus avoiding draughts.

- » Minimum glass reduction, maximum air throughput.
- » Good acoustic performance.
- » Authentic Duco Softline-Design.

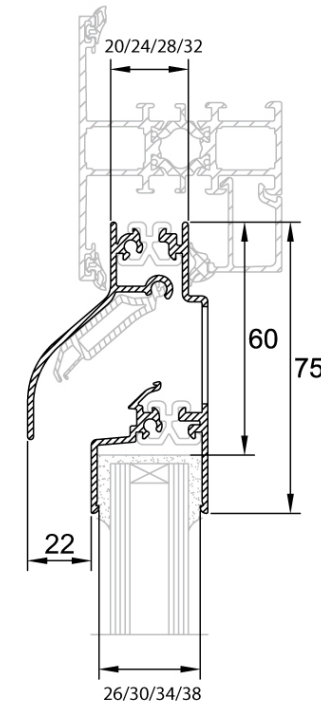
Technical Specifications

Airflow at 1 Pa	13,5 l/s/m
Airflow at 2 Pa	70 m ³ /h/m
Equivalent Area at 1 Pa	17179 mm ² /m
Free air per 1000mm	15000 mm ²
Wind and water tightness (in closed position)	Up to 650 Pa
Stiffness and strength	Up to 1430 Pa
Glass reduction	60 mm
Glass thicknesses	20,24,28 and 32 mm
Vent height	75 mm
Sound reduction, D _{ne} , W (C;Ctr)	
in open position	27,0 dB (0;0)
in closed position	45,0 dB (-1;-1)
U value	4,02 W/m ² K

DucoPlus 60 Compact vent



DucoPlus 60 on UPVC frame



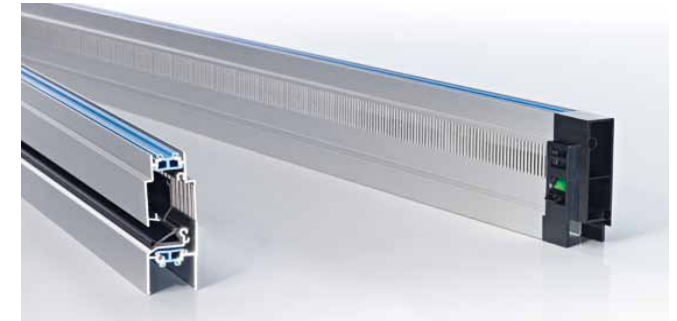
DucoFlat 80 series vents provide a completely flat appearance and have been specifically engineered for integration in the fixed and sliding panes of a sliding window or a sliding door.

- » Completely flat vent.
- » Suitable for installation in the sliding panes of a sliding window or sliding door.
- » Suitable for installation in the fixed panes of a sliding window or sliding door.

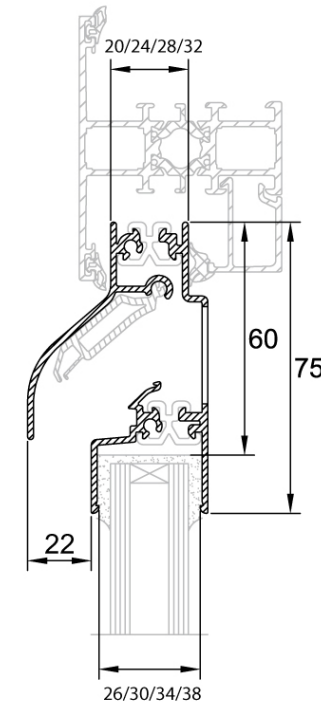
Technical Specifications

Airflow at 1 Pa	11,55 l/s/m
Airflow at 2 Pa	59 m ³ /h/m
Equivalent Area at 1 Pa	146697 mm ² /m
Free air per 1000mm	15000 mm ²
Wind and water tightness (in closed position)	wind: 650.Pa./ water:200Pa
Stiffness and strength	Up to 1600 Pa
Glass reduction	80 mm
Glass thicknesses	24,28 and 32 mm
Vent height	95 mm
Sound reduction, Dne, W (C;Ctr)	
in open position	27,0 dB (0;-1)
in closed position	44,0 dB (0;-1)
U value	3 W/m ² K

DucoFlat 80 'SR' Completely flat vent



DucoFlat 80 on UPVC



DucoStrip is a high quality aluminium 'through the frame' slot ventilators. The combination of the smooth design and integrated endcaps and high quality polyester powder coating makes DucoStrip the preferred choice for any type of window frames.

- » Smooth & Slim with minimum protrusion
- » Directs flow of incoming air upwards
- » Fitting screws concealed by smooth end caps
- » O-ring seal provides highest rating of weather tightness: 900 Pa

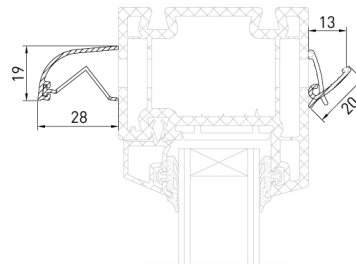
Equivalent Area

Vent length (mm)	Slot height (mm)	Equivalent area (mm ²)
340	10	2838
450	10	3868
290	12	2545
370	12	3385
230	16	2481
290	16	3359
360	16	4034
410	16	4579
460	16	5663
680	16	8348

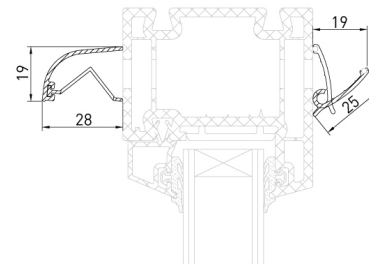
Characteristics

- » Material: aluminium: Al Mg Si 0,5 to DIN 1748, part 1
- » Finishes: polyester powder coating (60µ): UV colourfast, anodised (20µ)
- » End caps: white or black
- » Screws: stainless steel A2 Philips screws 3,5 x 9 mm DIN 7891

» DucoStrip Controllable vents

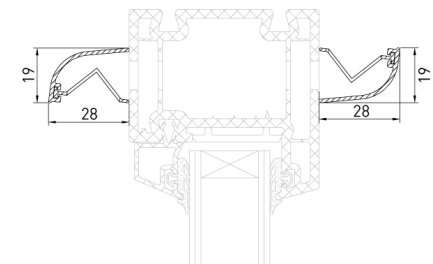


Canopy & 'slimline' stripvent
(for slot widths 10 to 13 mm)



Canopy & 'wideline' stripvent
(for slot widths 14 to 16 mm)

» DucoStrip Permanent vents



Canopy & canopy
(for slot widths 12 to 16 mm)

DucoStrip Aluminium slot ventilators





COMPANY
LIMITED

Sitting on top of the window frame, the vent is almost invisible. It does not interfere with the designed U value of the complete window. The integrity of the window frame and glazing is untouched. The Ducotop sits on top of any style of window frame, UPVC, aluminium or timber. From 50 to 190 mm in depth, and creates no visual distraction to the window. It removes the fitting of a vent from the window manufacturing process. The self regulating vent equalizes the airflow thus avoiding uncomfortable draughts. The DucoTop range is further enhanced by the addition of the DucoTop 60 AK, the standard acoustic version, and for locations with higher noise levels, the DucoTop 60AK Plus is the answer !

Technical Specifications

Sound reduction, Dne, W (C;Ctr)	in open position up to 27.0 dB (0;0)
	in closed position 41.0 dB (0;-1)
Water tightness (in the closed panel) + Wind tightness (in closed position)	 650 Pa
Glass reduction	 n/a
Vent height	 60 mm
Fitting height	 65 mm
U value	 1,85 W/m ² K

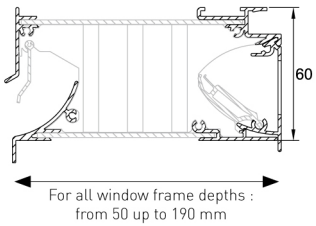
DucoTop 60 'SR'

DucoTop 60 'SR'
Invisible fitting

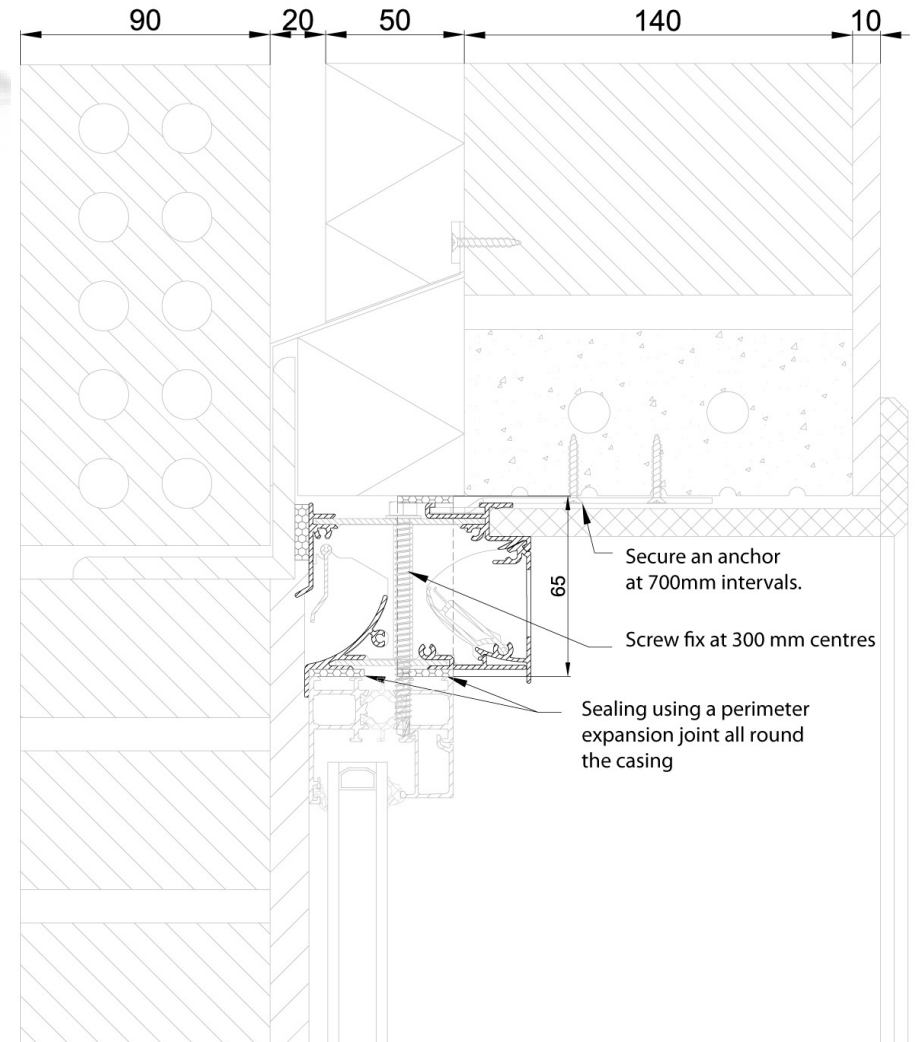


Quick and easy installation

The window vent comes as a complete unit. The top is transparent and accommodates pre-drilled, glass-fibre reinforced joining elements. The top mounted self-anchoring channel ensures a quick and strong fixing to the adjacent walls. All movable parts are easy to replace.



a total **louvre design**
and **manufacturing** service



a total **louvre design**
and **manufacturing** service

Performance

Series	Airflow at 1 Pa (l/s)	Airflow at 2 Pa (m³/h)	Equivalent Area at 1Pa vent (mm²)	Free Air Performance mm²/l/m	Standard version		Acoustic versions		
					Position	Dne, W (C;Ctrl), in dB(A)	Position	Dne, W (C;Ctrl), in dB(A)	
Corto 50-70 mm	11,3	58,3	14379	14000	Open	25 (0;-1)	Open	n/a	n/a
					Closed	41 (0;-1)	Closed	n/a	n/a
Basso 70-90 mm	11,6	59,4	14761	14000	Open	27 (-1;-2)	Open	28 (0;-1)	n/a
					Closed	41 (0;-1)	Closed	44 (-1-2)	n/a
Medio 90-110 mm	10,9	55,8	13870	14000	Open	26 (0;-1)	Open	29 (0;-1)	n/a
					Closed	41 (0;-1)	Closed	46 (-1;-2)	n/a
Alto 110-130 mm	11,1	56,8	14125	14000	Open	26 (0;0)	Open	30 (0;-1)	n/a
					Closed	41 (0;-1)	Closed	45 (-1;-2)	n/a
Largo 130-150 mm	11,6	59,0	14761	14000	Open	27 (-1;-1)	Open	31 (-1;-2)	n/a
					Closed	41 (0;-1)	Closed	47 (0;-2)	n/a
Grando 150-170 mm	10,8	55,4	13743	14000	Open	27 (0;0)	Open	32 (-1;0)	n/a
					Closed	41 (0;-1)	Closed	49 (0;-2)	n/a
Jumbo 170-190 mm	11,4	58,6	14506	14000	Open	27 (0;0)	Open	33 (-1;-2)	42 (0;-2)
					Closed	41 (0;-1)	Closed	48 (-1;-2)	48 (0;-2)

Optional The end caps can be finished to any RAL colour

GlasMax 'SR' is an acoustic and thermally broken vent engineered for installation on glazing. The acoustic air inlet is exceptionally suitable for low-level noise disturbance; can achieve up to 34 dB.

- » Vent with sound absorbing infill made from sustainable materials.
- » The sound absorbing material filters the air inflow, thereby reducing airborne irritants.
- » Suited to high-rise applications.
- » Three different air flow rates.

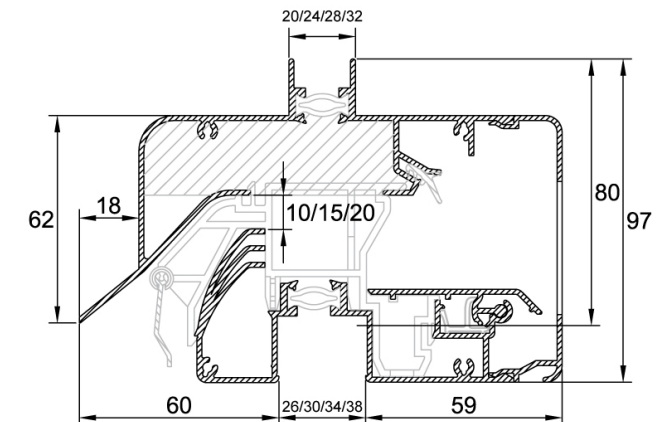
Technical Specifications

Water tightness (in closed position)	1050 Pa
Wind tightness (in closed position)	600 Pa
Glass reduction	80 mm
Glazing thickness	20/24/28/32 mm
With transom profile	40 x 20 mm
Compact transom mounting, including built-in height	90 mm
Vent height	
Installation on glass	97 mm
Transom mounting	120 mm
Compact transom mounting	120 mm
U value	1,56 W/m ² K

GlasMax 'SR' 'Acoustic ventilator'



GlasMax 'SR' Fitting over the glass



Performance

Air slot	Airflow at 1 Pa (l/s)	Airflow at 2Pa (m ³ /h)	Equivalent Area at 1 Pa vent (mm ²)	Free Air Performance mm ² /l/m	Dne, W (C, Ctr) in dB (vent open)
10 mm	14,5	74,8	18451	10000	34 (-1;-2)
15 mm	20,5	102,7	26086	15000	32 (0;-1)
20 mm	23,6	119,7	30031	20000	30 (0;-1)

Air slot	Octave band values in dB				
	125 Hz	250 Hz	500 Hz	1000 Hz	2000 Hz
10 mm	28,0	30,2	27,9	35,4	35,8
15 mm	27,7	29,4	27,9	32,8	33,2
20 mm	26,2	29,0	26,1	31,1	31,3

Glazing gasket application

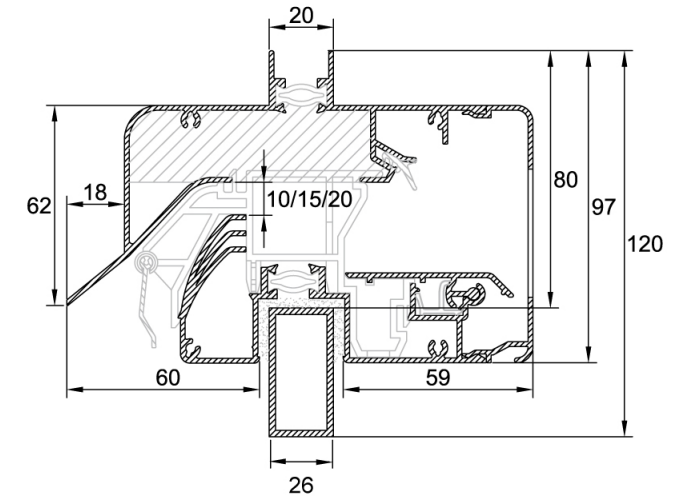
Types of glazing gasket	Height in mm	Glazing thickness			
		20 mm	24 mm	28 mm	32 mm
Universal 20,24,28	15	✓	✓	✓	
34-42 SV*	15			✓	✓

*Silicone-free

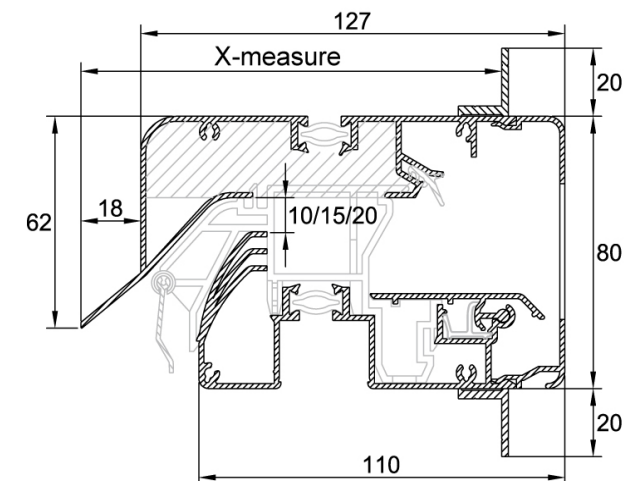
GlasMax 'SR'

GlasMax 'SR'
'Acoustic ventilator'

GlasMax 'SR' Transform mounting



GlasMax 'SR' Compact transom mounting



DucoMax 'SR' is a self regulating, acoustic vent (sound attenuating ventilator), specifically engineered for situations exposed to high levels of noise disturbance. The various types are attractively designed and offer excellent acoustic and airflow performance. The external profile is available in three different versions.

- » Three types of external profile : BudgetLine, SoftLine and LamellLine.
- » Four fitting depths : Corto (small), Medio (medium), Alto (large), Largo (extra large).
- » Suited to situations giving rise to high levels of noise disturbance.
- » Mounts on any type of installation.

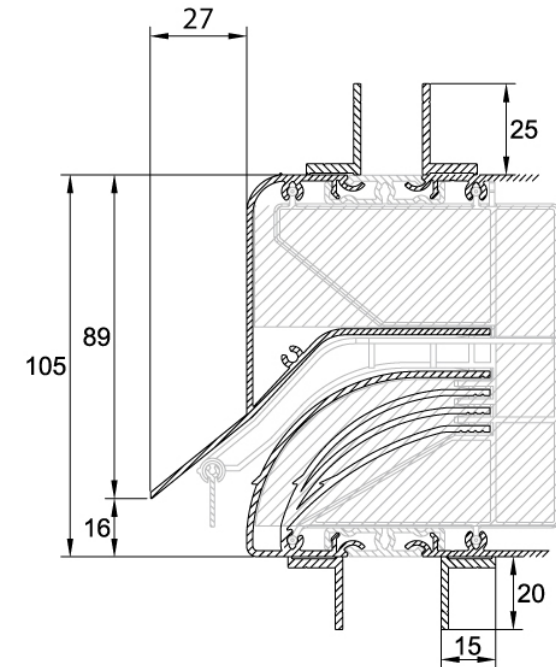
Technical Specifications

Water tightness (in closed position)	1050 Pa
Wind tightness (in closed position)	600 Pa
Strength and rigidity	Meets the highest standard
Glass reduction	135 mm
Compact transom mounting, including built-in height	115 mm
Vent height	
Installation on glass	150 mm
Transom mounting	155 mm
Compact transom mounting	145 mm
U value	2,58 W/m ² K

DucoMax 'SR'
Superior sound absorption



DucoMax 'SR' Fitting over the glass



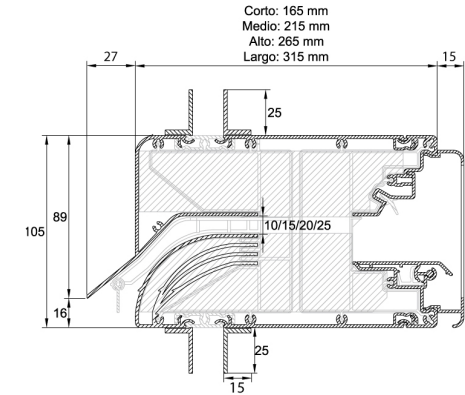
DucoMax 'SR'

Superior sound absorption

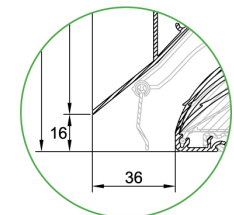
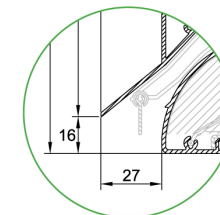
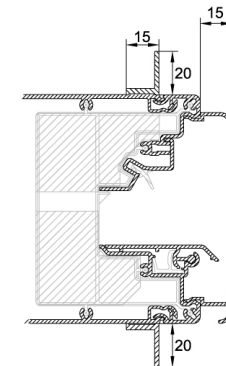
Performance

DucoMax	Airflow at 1 Pa (l/s)	Airflow at 2 Pa (m ³ /h)	Equivalent Area at 1Pa vent (mm ²)	Free Air Performance mm ² /l/m	Dne, W (C;Ctrl) in dB (vent open)	Octave band values in dB				
						125	250	500	1000	2000
Corto 10	13	67,3	16542	10000	41 (-1;-2)	32,8	33,7	39,5	44,4	40,0
Corto 15	20,7	104,8	26341	15000	38 (0;-2)	30,4	30,8	34,6	40,5	40,1
Corto 20	26,9	137,1	34230	20000	36 (0;-2)	29,4	28,6	32,1	38,7	38,2
Corto 25	32	163,1	40720	25000	36 (-1;-3)	29,0	28,4	30,5	37,2	39,9
Medio 10	11,2	56,6	14252	10000	44 (-1;-2)	35,1	35,1	42,5	49,3	43,1
Medio 15	17,7	91,4	22523	15000	42 (-1;-3)	31,1	33,4	37,2	47,9	39,0
Medio 20	25,6	132,5	32576	20000	39 (-1;-2)	30,3	30,5	36,5	43,3	41,2
Medio 25	30,8	156,6	39193	25000	37 (-1;-3)	28,8	28,3	31,6	39,3	48,7
Alto 10	11,9	60,8	15143	10000	47 (-1;-3)	34,3	37,5	44,1	51,1	47,7
Alto 15	17,5	90,4	22269	15000	45 (-1;-4)	32,1	34,6	41,2	50,0	42,9
Alto 20	26,3	134,6	33467	20000	41 (0;-3)	29,5	31,3	38,0	48,5	40,9
Alto 25	29,7	150,5	37793	25000	39 (-1;-4)	28,3	28,9	33,9	45,4	52,2
Largo 10	11,9	60,8	15143	10000	51 (-2;-5)	35,0	40,1	49,6	57,0	40,9
Largo 15	17,9	92,5	22778	15000	44 (-2;-3)	32,1	36,5	43,2	53,2	40,9
Largo 20	26,9	137,2	34230	20000	42 (-1;-2)	30,2	34,2	42,4	47,4	41,2
Largo 25	28,9	147,6	36775	25000	40 (-1;-2)	29,6	31,3	38,3	44,5	39,9

DucoMax 'SR' Transom mounting



DucoMax 'SR' Compact Transom mounting



→ Suits 10 mm air slot.

→ Suits 15, 20 & 25 mm air slot.